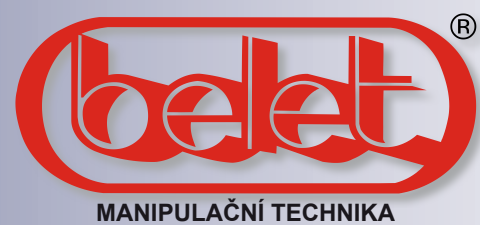
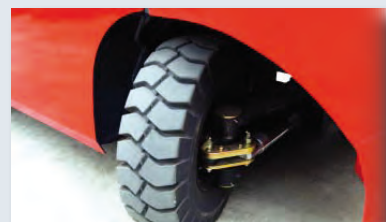


FORKLIFT TRUCK 2000 - 2500 KG

BELET a.s. , Dělnická 1253/37, 431 91 VEJPRTY, CZECH REPUBLIC
tel: +420 474 386 333, +420 474 386 338, +420 474 386 686, +420 474 386 381
fax: +420 474 386 332, +420 474 386 233, +420 474 386 194
email: beletvejprty@belet.cz, odbyt.beletvejprty@belet.cz
<http://www.belet.cz> • <http://obchod.belet.cz>



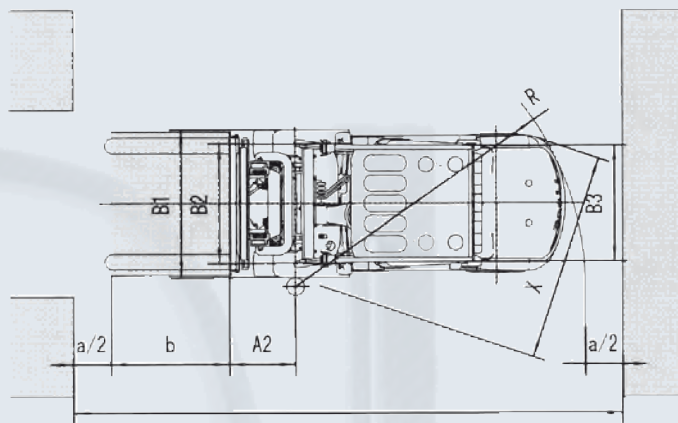
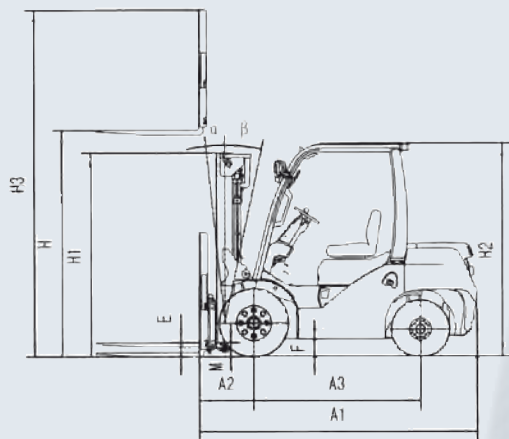
FORKLIFT TRUCKS



DV/MV 18BVT
DV/MV 20BVT
DV/MV 25BVT



Diesel / Gasoline / LPG
1.8t / 2.0t / 2.5t



Ast=A2+R+a+b a=200mm, b=Length of load

General		Model		DV 18BVT	MV 18BVT	DV 20BVT	MV 20BVT	DV 25BVT	MV 25BVT	
		Power type		Diesel	Gasoline/LPG	Diesel	Gasoline/LPG	Diesel	Gasoline/LPG	
Rated capacity		kg		1800		2000		2500		
Load centre		mm		500		500		500		
Lifting height		mm		3300		3300		3300		
Free lift height		E	mm	150		150		150		
Fork size		mm		1200 x 100 x 35		1200 x 122 x 40		1200 x 122 x 40		
Mast tilt angle		forwards/backwards	α/β	deg		6° / 12°		6° / 12°		
Front overhang		A2	mm	425		485		485		
Overall dimensions	Overall dimensions	Length to fork face		A1	mm	2390		2600		
		Length to fork face		B1	mm	1065		1160		
		Overall width		H1	mm	2150		2150		
		Mas lowered height		H3	mm	4520		4520		
		Mast extended height		H2	mm	2140		2195		
Turning radius		R	mm	2060		2230		2230		
Ast - working aisle for pallet 800x1200		Ast	mm	3420		3635		3635		
Performance	Travel speed	without load		km/h	17		18		18	
		with load		km/h	15		17		16	
	Lift speed	without load		mm/s	600		625		625	
		with load		mm/s	510		603		603	
Max. grade ability (with/without load)				%	33		23		23	
Service weight		kg		3200	3120	3668	3588	3888	3808	
Tyres	Diameter	front		6.50-10-10PR		7.00-12-12PR		7.00-12-12PR		
		rear		5.00-8-8PR		6.00-9-10PR		6.00-9-10PR		
	Tread	front		B2	mm	885		970		
		rear		B3	mm	900		985		
	Wheelbase		A3	mm	1480		1600		1600	
Ground clearance (with/without load)		Frame	F	mm	155		170		170	
		Mast	M	mm	110		110		110	
Engine	Model			YANMAR 4TNE92	Nissan K21	YANMAR 4TNE92	Nissan K21	YANMAR 4TNE92	Nissan K21	
	Rated output		kW/rpm	33,4/2725	32/3200	33,4/2725	32/3200	33,4/2725	32/3200	
	Zylinderanzahl			4	4	4	4	4	4	
	Hubraum		cm ³	2659	2065	2659	2065	2659	2065	