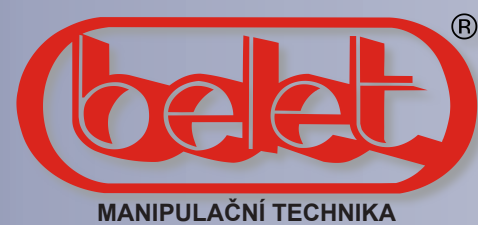


# ELECTRIC PALLET TRUCKS

**BELET a.s.** , Dělnická 1253/37, 431 91 VEJPRTY, CZECH REPUBLIC  
 tel: +420 474 386 333, +420 474 386 338, +420 474 386 686, +420 474 386 381  
 fax: +420 474 386 332, +420 474 386 233, +420 474 386 194  
 email: beletvejprty@belet.cz, odbyt.beletvejprty@belet.cz  
 http://www.belet.cz • http://obchod.belet.cz



## ELECTRIC PALLET TRUCKS

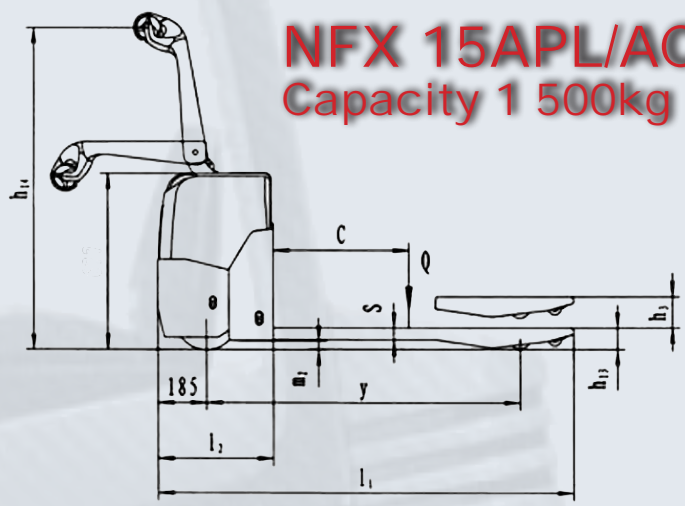
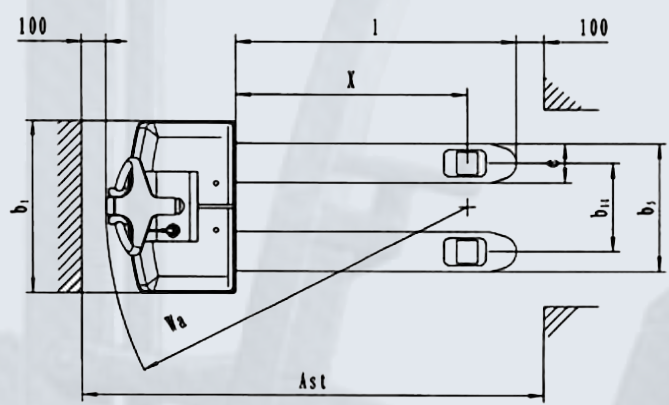
**NFX 20AP/AC**  
 Capacity 2 000kg



\* RIDER'S PLATFORM WITH SIDE GUARDS JUST ON REQUEST



**NFX 15APL/AC**  
 Capacity 1 500kg



## Technical Data

Type		NFX 15APL/AC		NFX 20AP/AC	
Identification	Drive motor		Electric		Electric
	Steering method		Pedestrian		Pedestrian
	Load Capacity / rated load	Q kg	1500		2000
	Load centre distance	C mm	600		600
	Distance between driving axle to fork	X mm	963		965
	Wheel base centre	Y mm	1217		1271
	Service weight	kg	288		638
Wheels, Chassis	Tyres		Polyurethane		Polyurethane
	Front wheels dimensions	mm	ø252x89		ø230x75
	Back wheels dimensions	mm	ø84x70		ø84x84
	Additional wheels (dimensions)		ø100x40		ø100x40
	Number of front / back wheels		1x +2/ 4		1x +2/ 4
	Track width, front	b10 mm	500		500
	Track width, rear	b11 mm	360		367
Dimensions	Lift	h3 mm	120		120
	Handle height in driving position	h14 mm	1205		1306
	Min. fork height	h13 mm	85		85
	Overall length	l1 mm	1590		1762
	Length to fork face	l2 mm	440		612
	Overall width	b1 mm	700		729
	Fork dimensions	s/e/l mm	47/160/1150		60/173/1150
	Overall fork width	b5 mm	520		540
	Ground clearance, centre of wheel base	m2 mm	34		25
	Working aisle with pallet 800X1200 lengthwise	Ast mm	2145		2250
	Turning radius	Wa mm	1480		1585
Performance	Driving speed with load / without load	km / h	5,5 / 5,5		6,0 / 6,0
	Lifting speed with load / without load	mm/s	27 / 35		27 / 35
	Lowering speed with load / without load	mm/s	42 / 27		42 / 27
	Max. performance with load / without load	%	5 / 8		6 / 12
	Service brake		Electromagnetic		Electromagnetic
Motor	Drive motor rating s2 60min	kW	0,9 (AC)		1,3 (AC)
	Lift motor rating s3 15%	kW	0,8		0,8
	Battery according DIN		-		B,2PzS
	Battery voltage, nominal capacity	V/Ah	2 x 12 / 85		24 / 240
Others	Driving control type		MOSFET Control (AC)		MOSFET Control (AC)
	Sound level according EN 12053	dB(A)	<70		<70