

ELECTRIC - STACKER

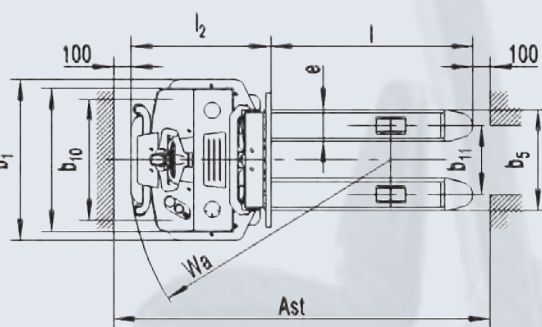
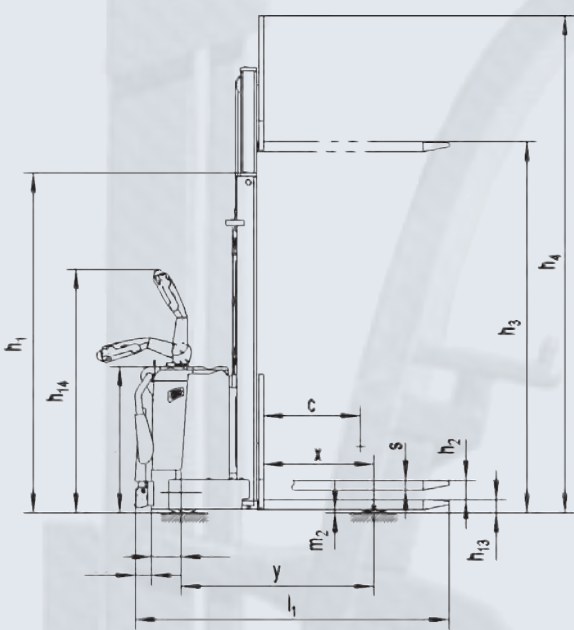
BELET a.s. , Dělnická 1253/37, 431 91 VEJPRTY, CZECH REPUBLIC
 tel: +420 474 386 333, +420 474 386 338, +420 474 386 686, +420 474 386 381
 fax: +420 474 386 332, +420 474 386 233, +420 474 386 194
 email: beletvejprty@belet.cz, odbyt.beletvejprty@belet.cz
 http://www.belet.cz • http://obchod.belet.cz



MANIPULAČNÍ TECHNIKA

ELECTRIC - STACKER

FX 15AP29/AC
FX 15AP36/AC
FX 15AP43VZ/AC
FX 15AP46VZ/AC
FX 15AP55VZ/AC
FX 16AP46/AC



Lift/ Load centre distance	FX 15AP29/36/AC	
	600 mm	700 mm
2700	1 500 kg	1 100 kg
2900	1 300 kg	1000 kg
3200	1 100 kg	900 kg
3600	1000 kg	800 kg

Lift/ Load centre distance	FX 15AP55VZ/AC	
	600 mm	700 mm
2700	1 500 kg	1 200 kg
3200	1 200 kg	1 000 kg
3600	1 100 kg	900 kg
4000	1 000 kg	800 kg
4600	850 kg	750 kg
5000	750 kg	600 kg
5500	600 kg	500 kg

Lift/ Load centre distance	FX 15AP43/46VZ/AC	
	600 mm	700 mm
2700	1 500 kg	1 200 kg
3200	1 200 kg	1000 kg
3600	1100 kg	900 kg
4000	1 000 kg	800 kg
4300	920 kg	750 kg
4600	850 kg	700 kg



Load capacity 1 500kg



Technical specification

Type	FX	15AP29/AC	15AP36/AC	15AP43VZ/AC	15AP46VZ/AC	15AP55VZ/AC	16AP46/AC	
Identification	Drive motor	electric						
	Steering method	walking						
	Load Capacity / rated load	Q(Kg)	1500				1600	
	Load centre distance	c (mm)	600				600	
	Distance between driving axle to fork	x(mm)	765				784	
	Wheel base centre	y(mm)	1405		1520		1336	
Weights	Service weight	kg	1095	1125	1566	1578	1628	1450
	Axle load loaded drive end / load end	kg	1165/1430	1180/1445	1320/1648	1336/1654	1361/1679	1400/1650
	Axle load unloaded drive end / load end	kg	735/360	750/375	940/538	946/544	971/579	1130/320
Wheels, Chassis	Tyres	polyurethan (PU)						
	Front wheels dimensions	(mm)	230x75				252x88	
	Back wheels dimensions	(mm)	80x70				80x70	
	Additional wheels (dimensions)	(mm)	124x60				150x54	
	Number of front / back wheels		1x+2/4					
	Track width, front	b10(mm)	570	570	750		790	
	Track width, rear	b11(m)m	390					
Dimensions	Height mast lowered	h1(mm)	1950	2300	1980	2080	2475	2102
	Free lift	h2(mm)	150		1420	1520	1915	-
	Lifting height	h3(mm)	2900	3600	4300	4600	5500	4600
	Height mast extended	h4(mm)	3370	4070	4865	5115	6060	5414
	Handle height in driving position min./max	h14(mm)	945/1370					961/1396
	Min. fork height	h13(mm)	85					
	Overall length	l1(mm)	2050		2180		1895	
	Length to fork face	l2(mm)	900		1030		746	
	Overall width	b1(mm)	795		1000		1050	
	Fork dimensions	s/e/l(mm)	60 / 180 / 1150					
	Overall fork width	b5(mm)	570					
	Ground clearance, centre of wheel base	m2(mm)	25					
	Working aisle with pallet 1000X1200 crossways	Ast(mm)	2519		2645		2400	
	Working aisle with pallet 800X1200 lengthwise	Ast(mm)	2466		2592		2350	
	Turning radius	Wa(mm)	1674		1806		1550	
Performance	Driving speed with load / without load	km/h	6/6					
	Lifting speed with load / without load	mm/s	82/152	97/164	141/212		100/160	
	Lowering speed with load / without load	mm/s	95/108	128/120	227/170		95/120	
	Max. performance with load / without load	%	6/12					
	Service brake		electromagnetic					
Motor	Drive motor rating s2 60min	kW	1,3					
	Lift motor rating s3 15%	kW	2.2	3,0				
	Battery voltage, nominal capacity	V/Ah	24/250		24/345		24/280	
Others	Driving control type		AC speed control					
	Sound level according EN 12053	dB(A)	<70					