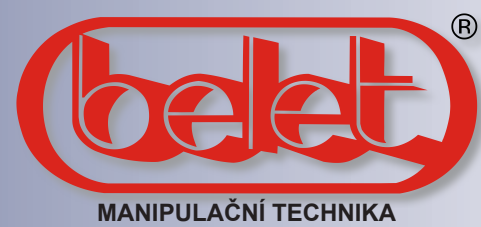


FORKLIFT TRUCK 6000 - 10000KG

BELET a.S. , Dělnická 1253/37, 431 91 VEJPRTY, CZECH REPUBLIC
tel: +420 474 386 333, +420 474 386 338, +420 474 386 686, +420 474 386 381
fax: +420 474 386 332, +420 474 386 233, +420 474 386 194
email: beletvejprty@belet.cz, odbyt.beletvejprty@belet.cz, marketing@belet.cz
http://www.belet.cz • http://obchod.belet.cz



FORKLIFT TRUCK

*DV 60BVAT
DV 70BVAT
DV 80BVAT
DV 100BVAT*

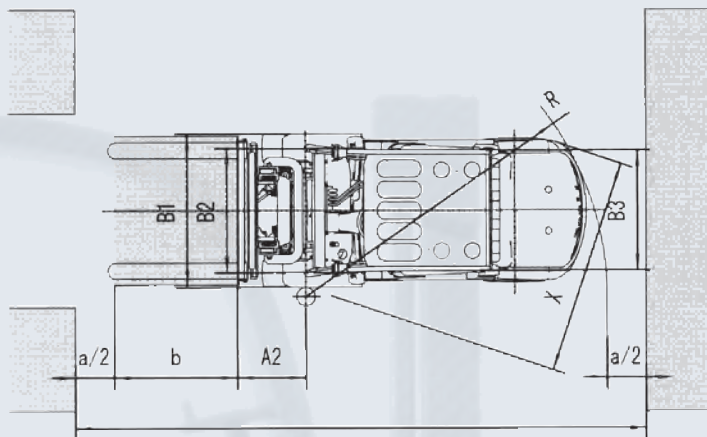
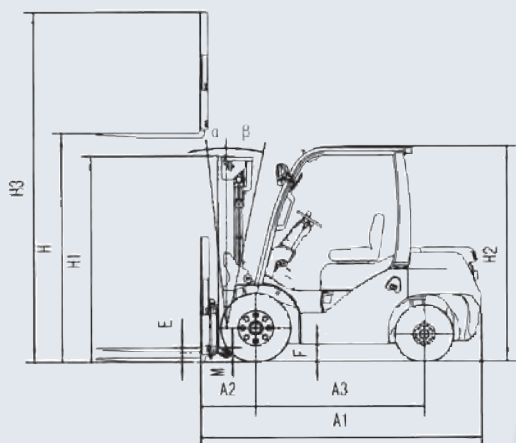


*Capacity
6.0 t // 7.0t // 8.0t // 10.0t*



Výrobce si vyhrazuje právo konstrukčních a designových změn. Obrázky mají ilustrativní charakter.

Výroba, prodej a servis manipulační techniky • Manufacture and sale of the handling equipment • Herstellung und Verkauf der Manipulationstechnik



$$Ast = A2 + R + a + b \quad a = 200\text{mm}, b = \text{Length of load}$$

Specification

General				DV 60BVAT	DV 70BVAT	DV 80BVAT	DV 100BVAT	
Model								
Power type				diesel	diesel	diesel	diesel	
Rated capacity			kg	6000	7000	8000	10000	
Load centre			mm	600	600	600	600	
Lifting height			mm	3000	3000	3000	3000	
Free lift height		E	mm	130	130	130	130	
Fork size			mm	1200x150x60	1200x150x65	1500x160x75	1500x160x80	
Mast tilt angle	forwards/backwards	α/β	deg	6/11	6/12	6/12	6/12	
Front overhang		A2	mm	627	632	700	733	
Overall dimensions	Length to fork face	A1	mm	3527	3592	3945	4265	
	Overall width	B1	mm	1995	1995	2245	2245	
	Mas lowered height	H1	mm	2500	2500	2695	2845	
	Mast extended height	H3	mm	4429	4429	4445	4492	
	Overhead guard height	H2	mm	2420	2420	2565	2565	
Turning radius		R	mm	3350	3410	3700	3900	
Ast - working aisle for pallet 800x1200		Ast	mm	5377	5442	6100	6333	
Performance	Travel speed	without load	km/h	28	28	28	28	
		with load	km/h	22	22	24	22	
	Lift speed	without load	mm/s	330	320	350	280	
		with load	mm/s	550	550	480	390	
	Max. grade ability (with/without load)			%	20	20	20	20
Service weight			kg	8840	9350	11070	12850	
Tyres	Diameter	front		8.25-15-14PR	8.25-15-14PR	9.00-20-14PR	9.00-20-14PR	
		rear		8.25-15-14PR	8.25-15-14PR	9.00-20-14PR	9.00-20-14PR	
	Tread	front	B2	mm	1470	1470	1600	1600
		rear	B3	mm	1700	1700	1700	1700
	Wheelbase		A3	mm	2300	2300	2800	2800
Ground clearance (with/without load)	Frame	F	mm	190/230	190/230	323/343	323/343	
	Mast	M	mm	160/200	160/200	205/245	205/245	
Motor	Model			Mitsubishi S6S T	Mitsubishi S6S T	Perkins 1104D-44TA	Perkins 1104D-44TA	
	Rated output			kW/rpm	67,6/2300	67,6/2300	83/2200	83/2200
	No. of cylinder			ks	6	6	4	4
	Displacement			cm ³	4996	4996	4400	4400