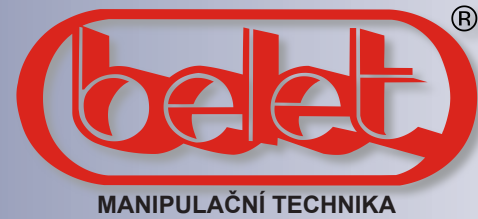


FORKLIFT TRUCK 4000 - 5000KG

BELET a.S. , Dělnická 1253/37, 431 91 VEJPRTY, CZECH REPUBLIC
tel: +420 474 386 333, +420 474 386 338, +420 474 386 686, +420 474 386 381
fax: +420 474 386 332, +420 474 386 233, +420 474 386 194
email: beletvejprty@belet.cz, odbyt.beletvejprty@belet.cz, marketing@belet.cz
http://www.belet.cz • http://obchod.belet.cz



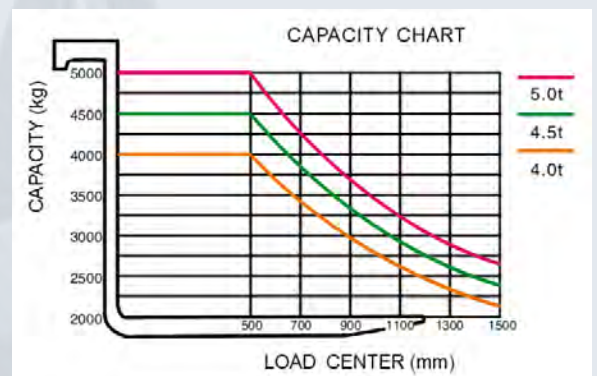
FORKLIFT TRUCK



DV 40BVAT
DV 45BVAT
DV 50BVAT

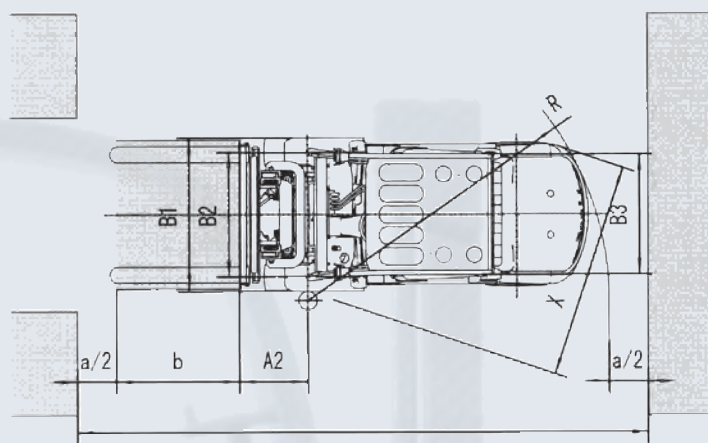
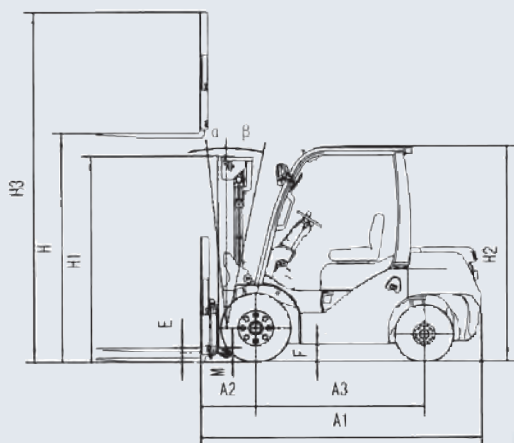


Capacity
4.0 t // 4.5t // 5.0t



Výrobce si vyhrazuje právo konstrukčních a designových změn. Obrázky mají ilustrativní charakter.

Výroba, prodej a servis manipulační techniky • Manufacture and sale of the handling equipment • Herstellung und Verkauf der Manipulationstechnik



$$Ast = A2 + R + a + b \quad a = 200\text{mm}, b = \text{Length of load}$$

Specification

General				DV 40BVAT	DV 45BVAT	DV 50BVAT		
Model								
Power type				diesel	diesel	diesel		
Rated capacity			kg	4000	4500	5000		
Load centre			mm	500	500	500		
Lifting height			mm	3000	3000	3000		
Free lift height		E	mm	135	150	150		
Fork size			mm	1200x130x45	1200x140x55	1200x150x55		
Mast tilt angle		forwards/backwards	α/β deg	6/11	6/12	6/12		
Front overhang		A2	mm	510	567	567		
Dimension	Overall dimensions	Length to fork face		A1	mm	2940	3091	3125
		Overall width		B1	mm	1300	1485	1485
		Mas lowered height		H1	mm	2235	2390	2390
		Mast extended height		H3	mm	4270	4275	4275
		Overhead guard height		H2	mm	2210	2250	2250
Turning radius		R	mm	2800	2790	2830		
Ast - working aisle for pallet 800x1200		Ast	mm	4710	4757	4797		
Performance	Travel speed	without load		km/h	19	25	25	
		with load		km/h	17	22	22	
	Lift speed	without load		mm/s	480	460	460	
		with load		mm/s	380	440	440	
	Max. grade ability (with/without load)			%	15	20	20	
Service weight			kg	5300	6760	7050		
Tyres	Diameter	front			250-15-16PR	300-15-18PR	300-15-18PR	
		rear			7.00-12-12PR	7.00-12-12PR	7.00-12-12PR	
	Tread	front	B2	mm	1160	1180	1180	
		rear	B3	mm	1100	1190	1190	
	Wheelbase		A3	mm	1860	2000	2000	
Ground clearance (with/without load)		Frame	F	mm	155/160	180/190	180/190	
		Mast	M	mm	135/150	145/175	145/175	
Motor	Model				YANMAR 4TNE98	Mitsubishi S6S	Mitsubishi S6S	
	Rated output			kW/rpm	44,3/2300	55,3/2450	55,3/2450	
	No. of cylinder			ks	4	6	6	
	Displacement			cm ³	3319	4996	4996	

Bel 2019_03_40_50_BVAT_EN